

# Technical data sheet



## Product features

### Lava grill gas double 2x 31x48 without base

<b>Model</b>	<b>SAP Code</b>	00001170
--------------	-----------------	----------



- Grid size [mm x mm]: 312 x 483
- Container for liquid fat: Yes
- Independent heating zones: Separate control for each heating zone
- Removable rim: No
- Removable grid: Yes
- Ignition: Piezo

<b>SAP Code</b>	00001170	<b>Net Weight [kg]</b>	50.00
<b>Net Width [mm]</b>	658	<b>Power gas [kW]</b>	8.000
<b>Net Depth [mm]</b>	609	<b>Type of gas</b>	Natural gas, propane butane
<b>Net Height [mm]</b>	290	<b>Grid size [mm x mm]</b>	312 x 483

# Technical data sheet



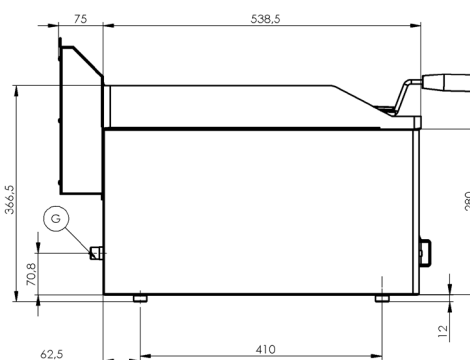
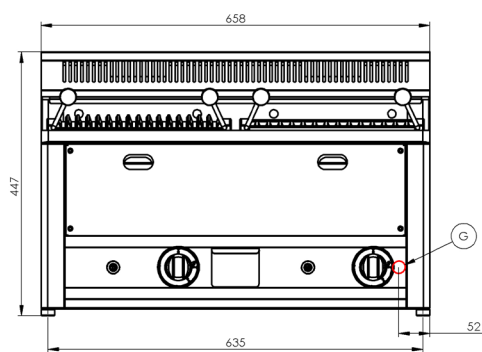
Technical drawing

Lava grill gas double 2x 31x48 without base

Model

SAP Code

00001170



# Technical data sheet



## Technical parameters

### Lava grill gas double 2x 31x48 without base

Model

SAP Code

00001170

**1. SAP Code:**

00001170

**2. Net Width [mm]:**

658

**3. Net Depth [mm]:**

609

**4. Net Height [mm]:**

290

**5. Net Weight [kg]:**

50.00

**6. Gross Width [mm]:**

725

**7. Gross depth [mm]:**

710

**8. Gross Height [mm]:**

450

**9. Gross Weight [kg]:**

56.00

**10. Device type:**

Gas unit

**11. Construction type of device:**

Table top

**12. Power gas [kW]:**

8.000

**13. Ignition:**

Piezo

**14. Type of gas:**

Natural gas, propane butane

**15. Exterior color of the device:**

Stainless steel

**16. Grid material:**

Stainless steel

**17. Safety thermocouple:**

Yes

**18. Container for liquid fat:**

Yes

**19. Independent heating zones:**

Separate control for each heating zone

**20. Removable rim:**

No

**21. Removable grid:**

Yes

**22. Grid size [mm x mm]:**

312 x 483

**23. Removable burner:**

Yes

**24. Connection to a ball valve:**

1/2